

AQUAMARINE WF WATER FEATURE LIGHT

architecture



The Aquamarine pool light is a revolutionary, energy efficient and ultra compact new Light source. It combines the lifetime reliability advantages of power LED with the brightness of conventional lighting. Advantages offered that sets this fitting apart from all the others:

- Various beam spreads – 140°, 39° & 17°.
- Better thermal cooling due to increased water circulation around the fitting.
- Electronic thermal protection circuit to protect the LEDs.
- Stainless Steel 316 construction

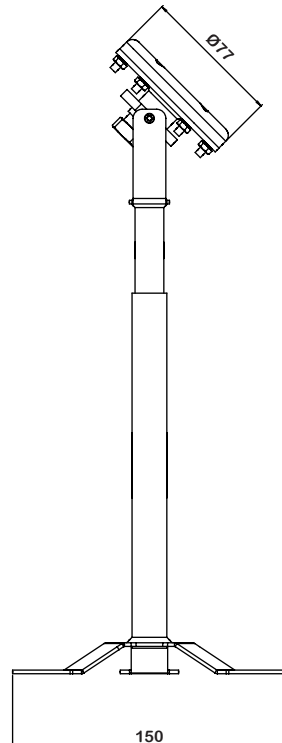
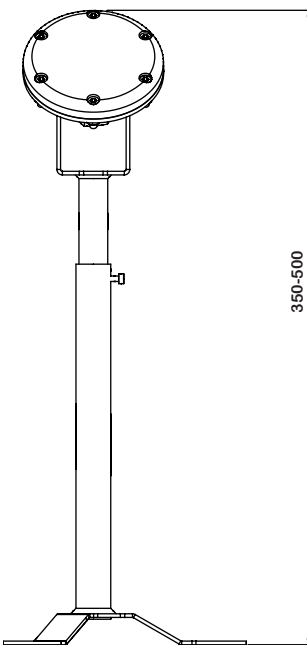


Features

Watts per Fitting	13 Watt
Fitting Fixation	Screws
IP Rating	IP68
Lifetime	Min. 50000h
Operating Temp. (Ambient)	-10 to 35°C
PSU Efficiency	85%
Power Factor	>0.92
THD	20% Max
Environment	Submersed, Outdoor

Module Efficiency

	Cool White
Color Temperature	5000 - 7000 K
Colour Rendering Index (CRI)	70



AQUAMARINE WF WATER FEATURE LIGHT

Fitting Options

Product ID	LED	Optic Type	Finish
01-072-101	CW - Cool White	140 - 140°	05 - Polished Stainless Steel
	BL - Blue	17 - 17°	
		39 - 39°	

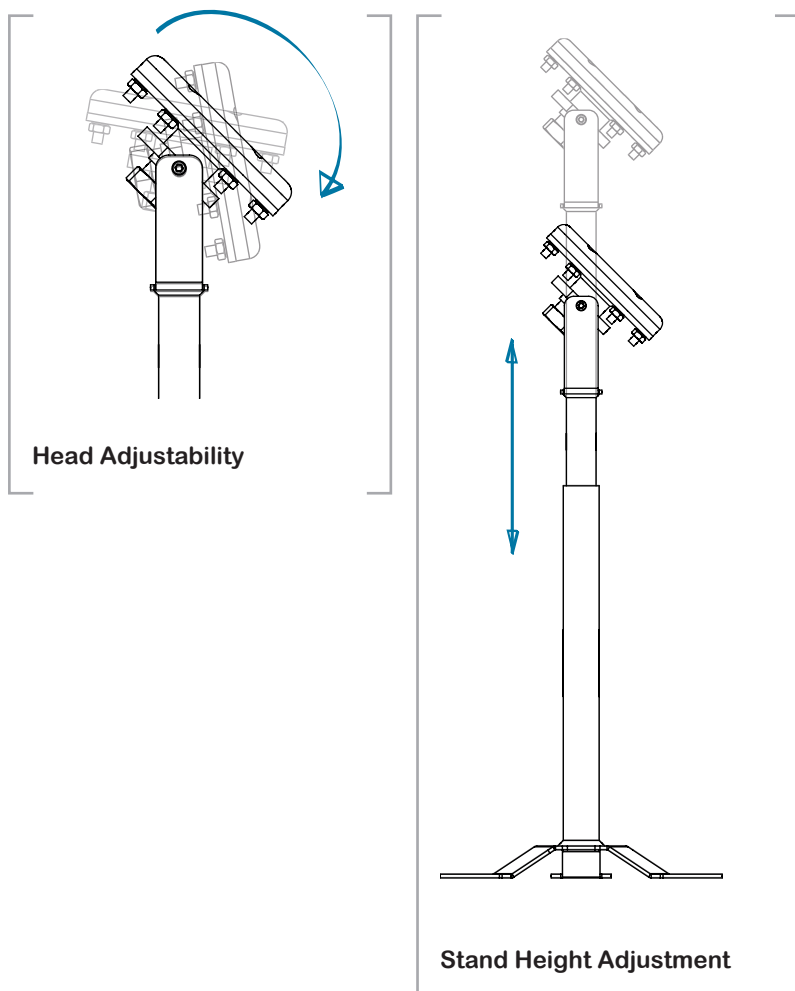
Driver Options

Driver Type	Specifications
01 - Static, External to fitting	100-240Vac/20W/15Vdc/1330mA/PF>0.92, UL1310 Class 2 , UL48, cUL
02 - Dimmable, External to Fitting	100-240Vac/12Vdc, Stack System, Coms: I2C, CAN, Rs485, Zigbee

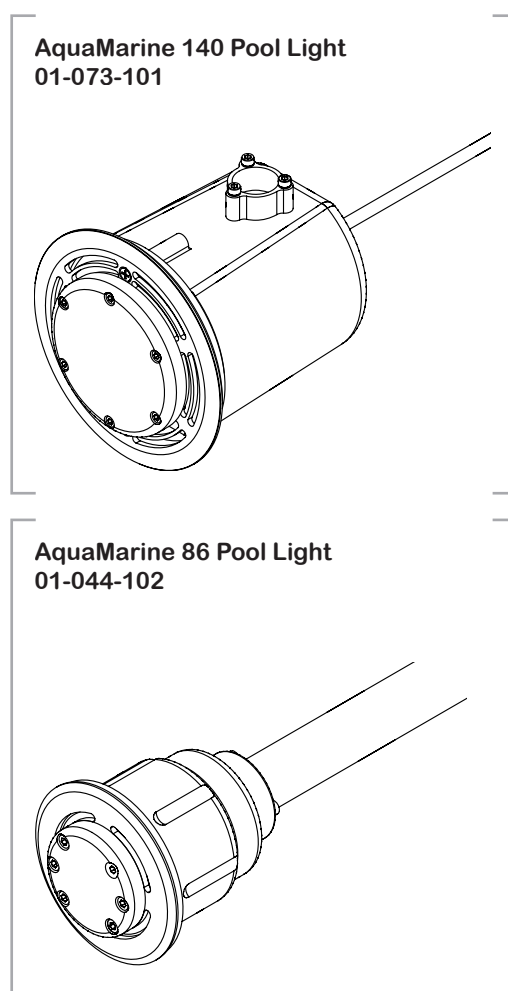
Product ID Example: 01-072-101-CW-140-05-01

Product ID Example	01-072-101	CW	140	05	01
	Fitting Type	LED Colour	Optic Type	Finish	Driver Option

Configurations



Other Products in the Range



©2009 Lumière Technologies

All rights reserved. Reproduction in whole or in part is prohibited without the prior written consent of the copyright owner. Lumière reserves the right to change specifications without notice. Responsibility rests with the user to determine suitability of product for specific purpose.

TECHNICAL SPECIFICATIONS